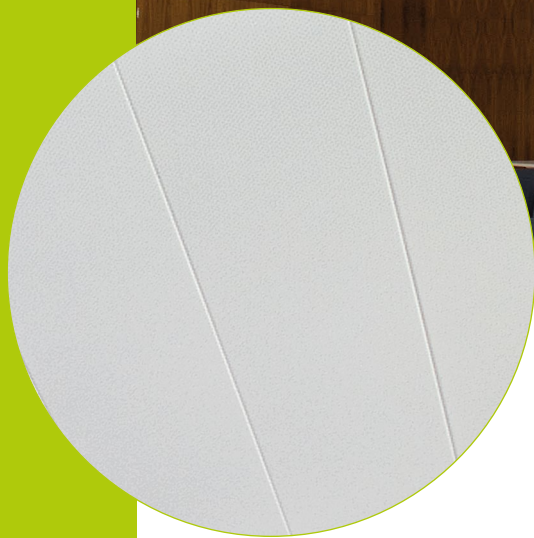




CEILING  
LIGHTING  
AMBIENCE

---



## METAL CEILING S5A.6 FH

C-CHANNEL GRID SYSTEM

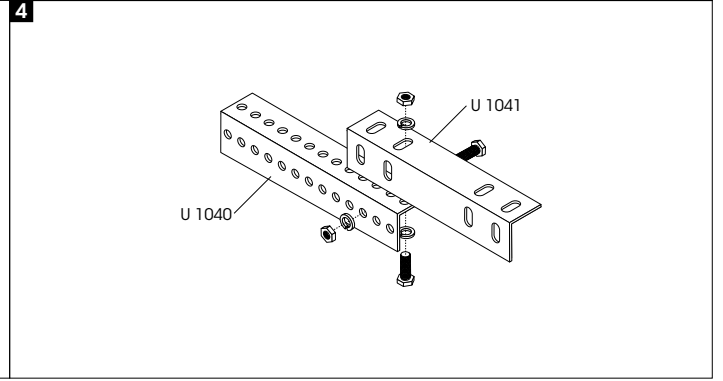
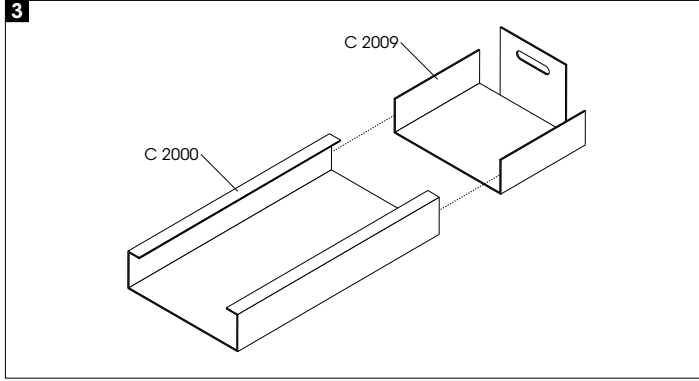
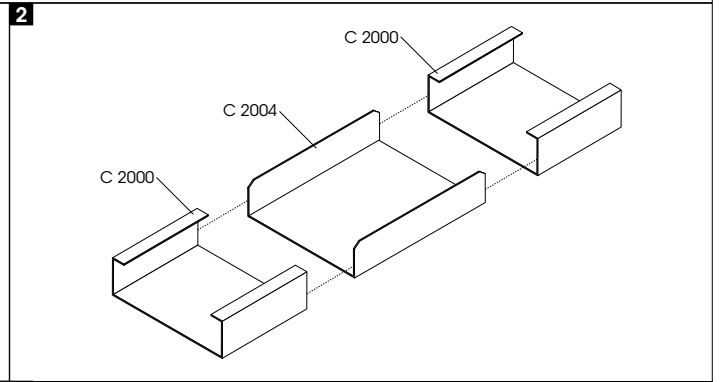
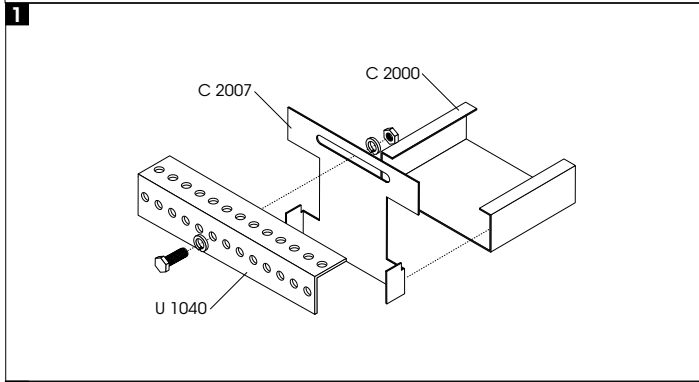
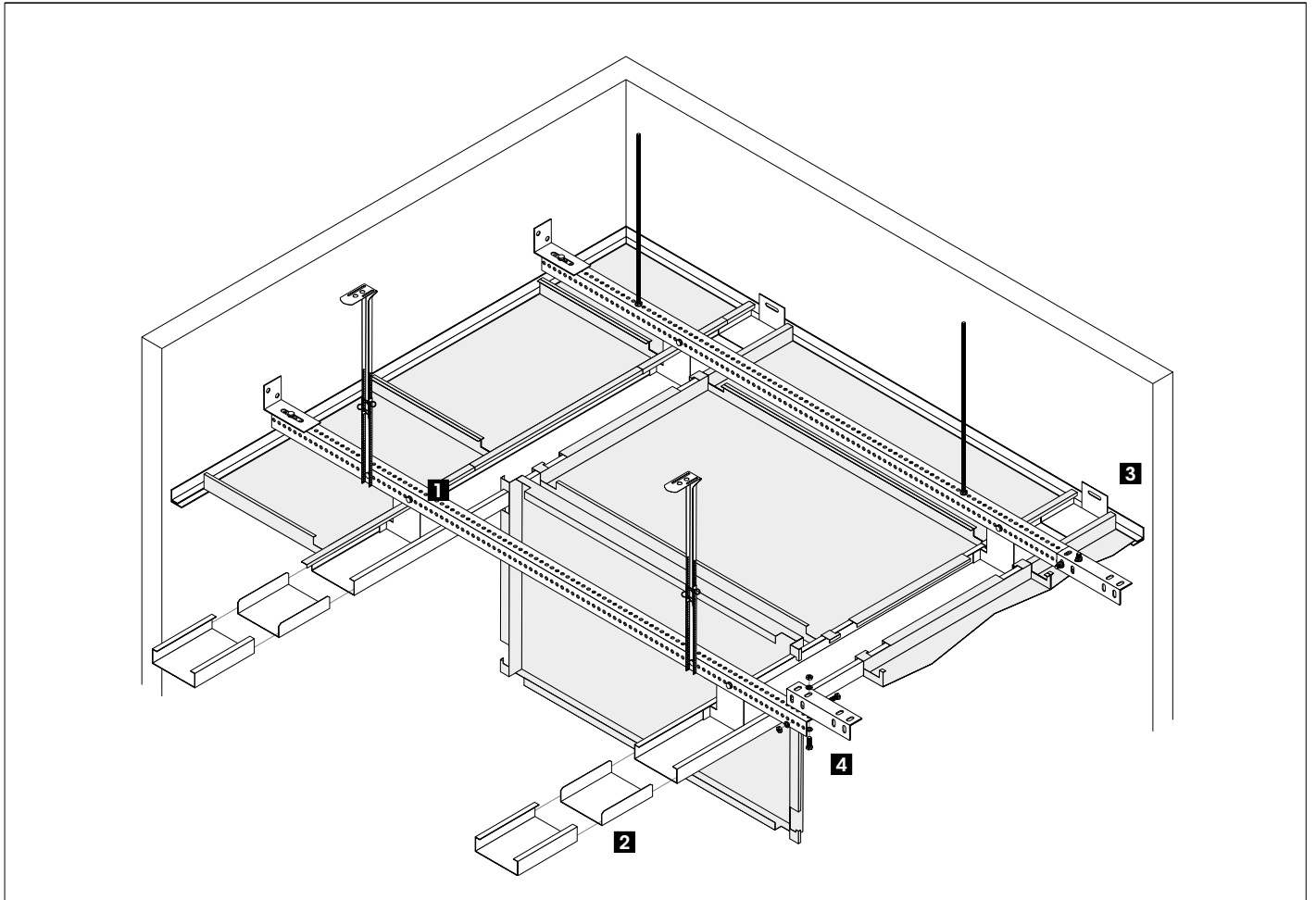
WITH FLANGE HOOKS

PRODUCT DATA SHEET

# METAL CEILING S5A.6 FH

PRODUCT DATA SHEET

C-CHANNEL GRID SYSTEM WITH FLANGE HOOKS



## C-CHANNEL GRID SYSTEM WITH FLANGE HOOKS

S5A.6 FH is a linear C-channel system with flange hook mounting. It is hingeable and sliding. The system is especially suited for use in office buildings. The visible substructure allows for simple retrospective room division whereby the partitions are joined to the parallel C-channel profiles as required.

S5A.6 FH is available in numerous materials and with different surfaces. The support system S5A.6 FH is easy to demount and does not require tools and, upon request, is available with a circumferential joint. Depending on your requirements, the system can also be supplied sound-proof or sound-absorbing or printed with graphics. The metal ceiling contributes directly to Green Building / LEED certification. Durlum S5A.6 FH metal ceilings fall under the general master format section 09 50 00 ceilings. When the S5A.6 FH ceiling panels are supplied perforated and with sound absorption materials, 09 51 33 Acoustical Metal Pan Ceilings is possible.

### SURFACE

#### Material

Galvanized steel, aluminium, stainless steel. The thickness of the material depends on the structured requirements. The galvanized steel and aluminium can be powder-coated white matt [similar to RAL 9016] or according to customer specifications. The coating thickness is approx. 60µm. The aluminium can also be supplied coil anodized or mirror polished. Stainless steel rectangular metal panels are available brushed or mirror polished. The powder-coated blanks can also be printed with graphics and textures of your choice.

### DIMENSIONS

#### Panel size

Length: ≤6'-7" [≤2000mm]

Width: ≤4'-3" [≤1300mm]

Recommended surface area: 22ft² [≤2.0m²]

### PERFORATION AND ACOUSTICS

Metal panels are available perforated with black acoustic fleece or non-perforated. Durlum offers RG L15 perforation [NRC=approx. 0.7] and RG 08 "Pico-Point" Microperforation [NRC=approx. 0.6] as standard. For other available perforations please see [www.durlum.us](http://www.durlum.us).

### FIRE PERFORMANCE

In accordance with ASTM E84 Flame Spread Index for steel is 25 or less and Smoke Developed Index for steel is 50 or less.

### GREEN BUILDING

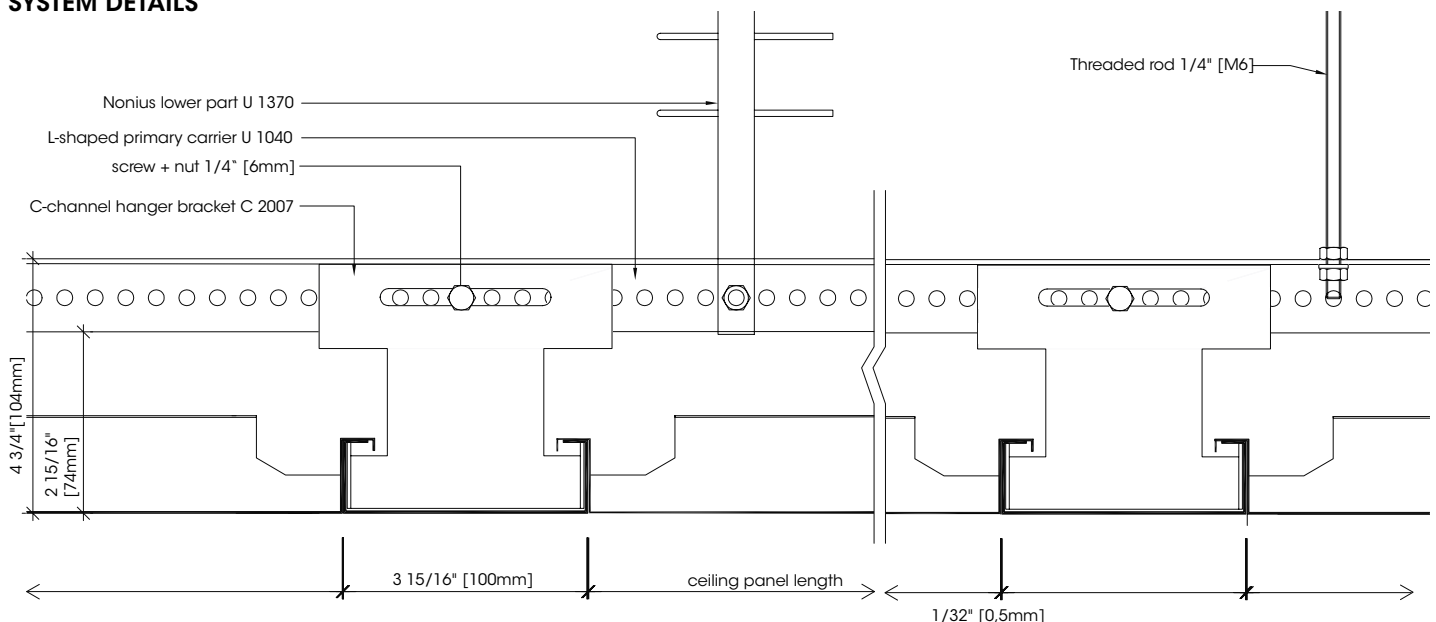
Durlum metal panels contribute directly to LEED and other GREEN BUILDING certifications. Typically applicable credits under LEED v4:

- Recycled Content – post- & pre-consumer info
- VOC Emissions – conformity with VOC requirements
- Acoustic Performance – sound absorption with acoustic fleece
- Environmental Product Declaration – available

No substances as outlined in the US Living Building v.3 Red List are internationally used.

Learn more: [greenbuilding@durlum.us](mailto:greenbuilding@durlum.us)

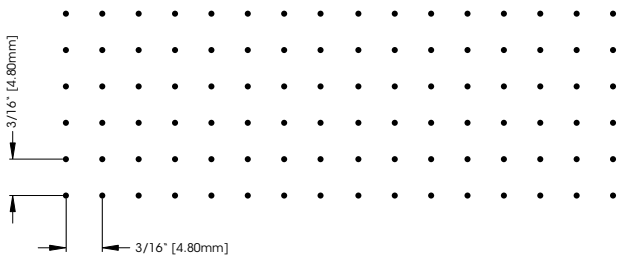
### SYSTEM DETAILS



## C-CHANNEL GRID SYSTEM WITH FLANGE HOOKS

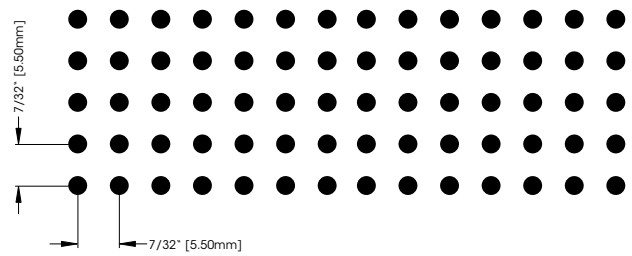
### PERFORATIONS

#### Micro Perforation RG-L08 "Pico Point"



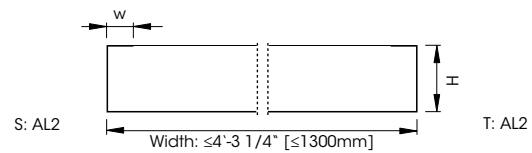
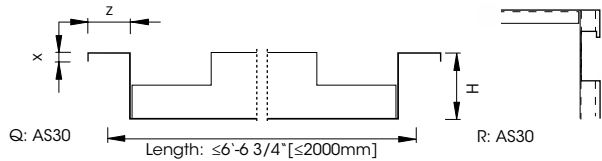
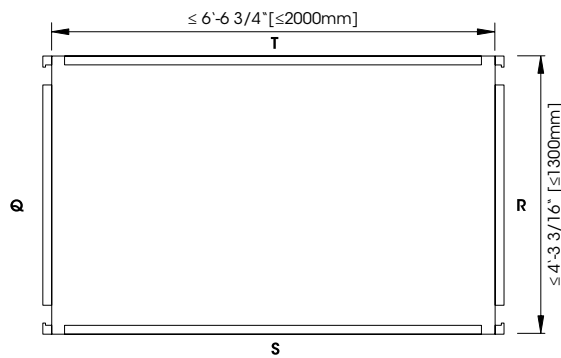
Hole diameter: 1/32" [0.8mm]  
 Open area: 2.18%  
 Max. width of perforation: 4'-2 1/16" [1272mm]  
 Max. plate width: 4'-7 1/8" [1400mm]

#### Standard Perforation RG-L15



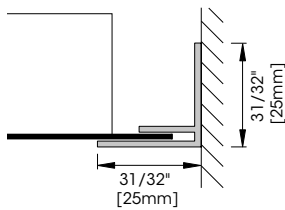
Hole diameter: 3/32" [2.5mm]  
 Open area: 16.20%  
 Max. width of perforation: 4'-8 3/4" [1441mm]  
 Max. plate width: 4'-7 1/8" [1400mm]

### STANDARD PANEL

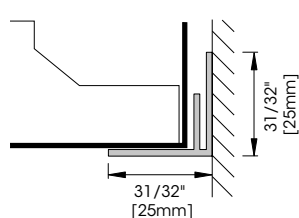


AS 30: H= 1 3/16" [30mm] | z= 9/16" [14mm] | x= 3/16" [5mm]  
 AL 2: H= 1 9/16" [40mm] | w= 15/32" [12mm]

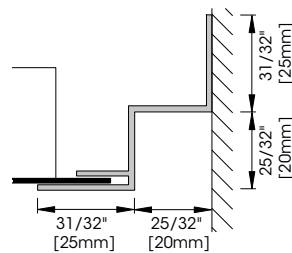
### JOINING DETAILS



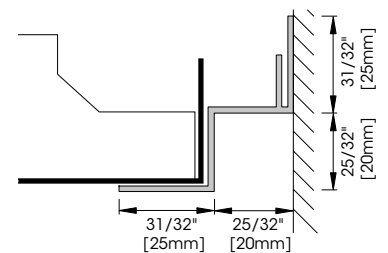
F 025 wall angle  
 For perimeter panels,  
 to be cut on site



F 025 wall angle  
 For lay-on perimeter  
 panels



F 2025 shadow gap wall angle  
 For perimeter panels,  
 to be cut on site



F 2025 shadow gap wall angle  
 For lay-on perimeter  
 panels

## C-CHANNEL GRID SYSTEM WITH FLANGE HOOKS

### INSTALLATION

The rectangular metal panels are placed form-fitting and tension free on to a special substructure, the parts of which must be approved by the manufacturer of the rectangular metal panels. For access, the rectangular metal panel is lifted from the system, removed and hooked into the C 2000 secondary profile via the released hook in the support flange of the panels. Demounting without requiring tools is assured.

The substructure consists of U 1040 form-punched, L-shaped primary carriers acting as cross bracing [primary profile]. They are suspended rigidly from the bare ceiling with nonius suspension elements or threaded rods using officially approved anchors. The primary profiles are to be connected together at the longitudinal joints using U 1041 connectors. The primary profiles are joined to the walls using the wall bracket U 1042. The spacing of primary carrying profiles is determined by the applicable market standards and project requirements (static loads) and is to be determined and checked by the contractor. Ensure horizontal and flush alignment.

The primary profiles U 1040 are connected to the secondary profiles C 2000 using C 2007 suspension elements. The secondary profiles are connected together at the longitudinal joint using connector C 2004. The C 2009 wall bracket is used for joining the secondary profiles to the wall. The spacing of the secondary profiles is to be adjusted precisely to the length of the rectangular metal panels to ensure that the panels are positioned tension free in the system. Ensure horizontal and flush alignment.

The rectangular metal panels can be joined to the wall using the following wall bracket profiles:

- Perimeter trim F 025
- Perimeter trim F 2025

### Please note

Installation must be carried out by qualified and trained staff according to the instructions for installation. These are available as download at [www.durlum.us](http://www.durlum.us).

### TECHNICAL STANDARDS

The parts comply with DIN EN 13964 as well as ASTM C635 and ASTM E1264.

Production complies with the TAIM and CISCA guidelines and the durlum works standards and is quality controlled by the TÜV according to ISO 9001:2008 and ISO 14001:2004.

### CLEANING

As standard, durlum ceiling panels are made with an electrostatic polyester powder coating, thus providing them with a long-term finish. The powder-coated surface should always be cleaned wearing clean gloves. First clean it with a soft, dry cloth. If dirt cannot be removed by this procedure, the cloth can also be moistened, with the addition of a pH-neutral cleaner [household detergent], if necessary. Contact of the powder coating with both alkaline and acid substances must be avoided. Metallic powder coatings show a particularly sensitive reaction. Due to the risk of a change in hue or effect, for metallic coatings a suitability test must be performed.

More information: [durlum.us](http://durlum.us)

### MANUFACTURER



**durlum GmbH**  
An der Wiese 5  
79650 Schopfheim  
Germany

P: +49.7622.3905.0  
E: [info@durlum.com](mailto:info@durlum.com)  
I: [durlum.com](http://durlum.com)

### CONTACT



**durlum USA LLC**  
251 Little Falls Drive  
Wilmington  
Delaware 19808  
USA

P: 1.800.204.3830  
E: [infoUSA@durlum.com](mailto:infoUSA@durlum.com)  
I: [durlum.us](http://durlum.us)