



CEILING
LIGHTING
AMBIENCE



S7 RHOMBOS

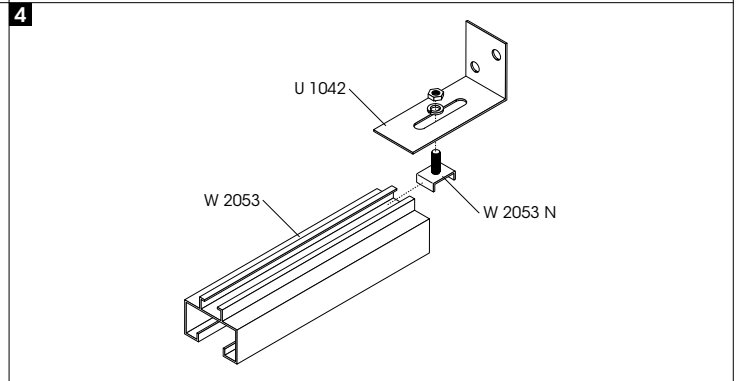
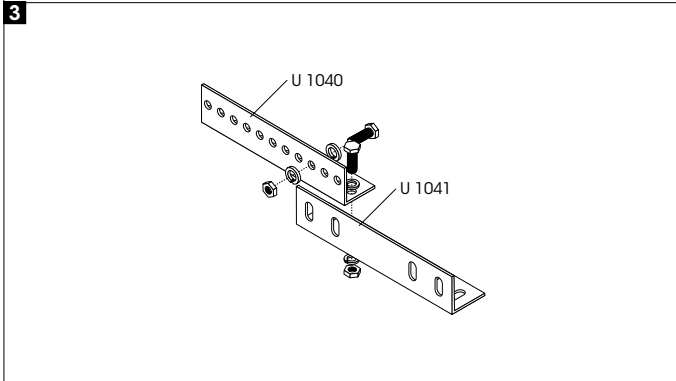
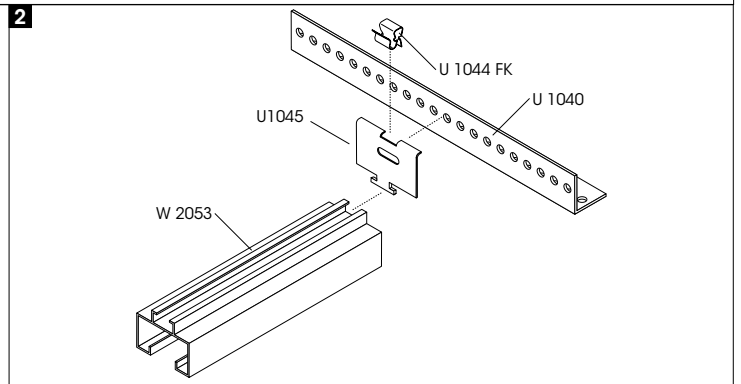
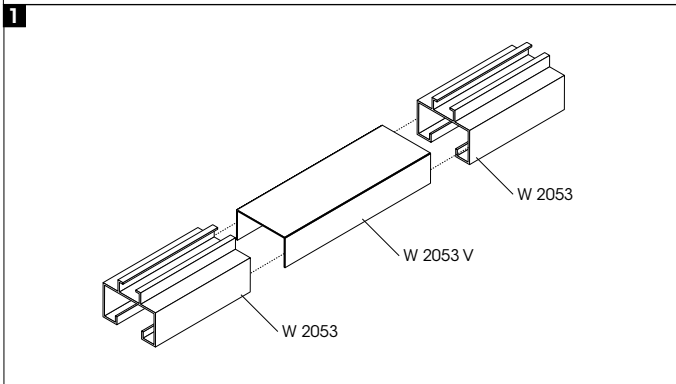
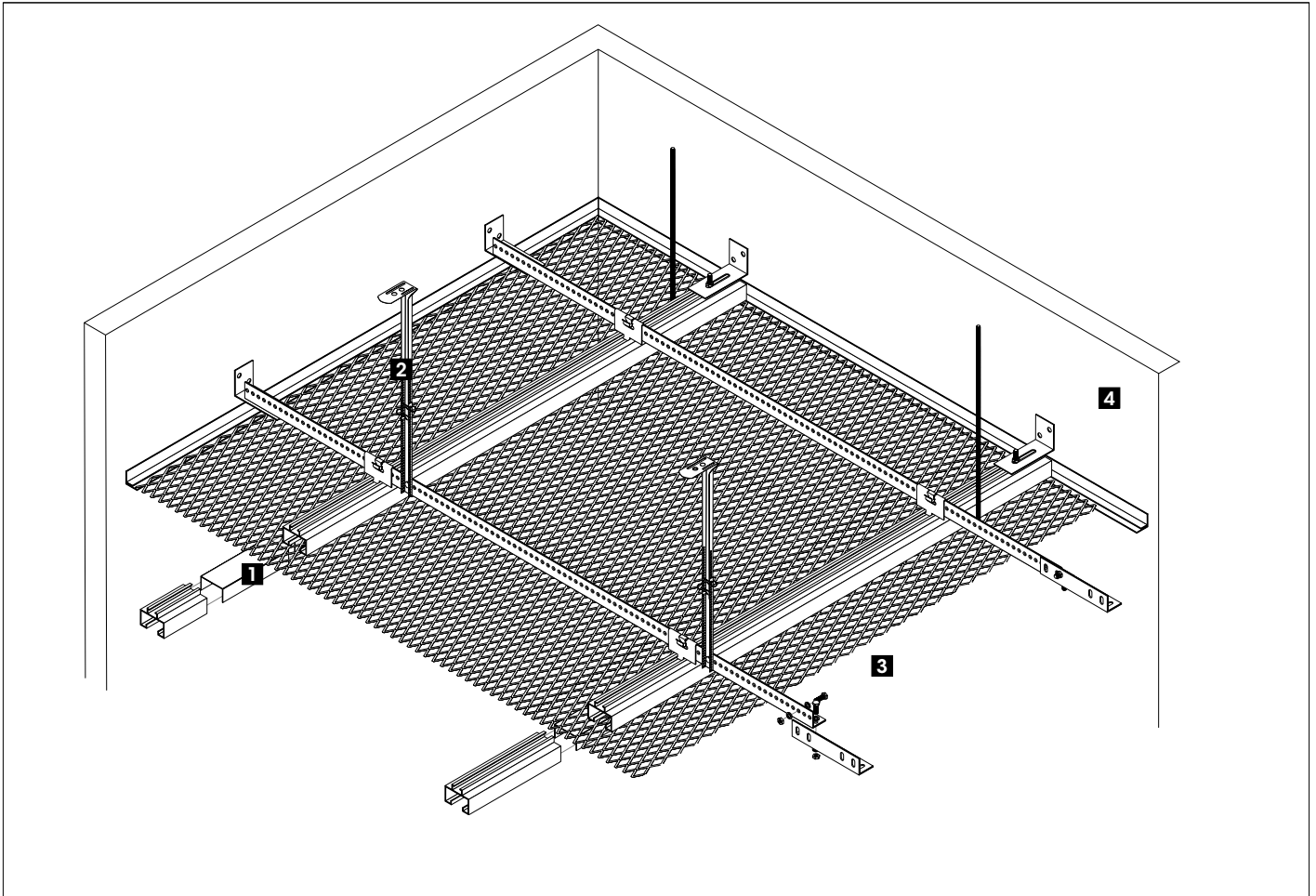
EXPANDED METAL CEILING

PRODUCT DATA SHEET

EXPANDED METAL CEILING S7 RHOMBOS

PRODUCT DATA SHEET

RAIL CHANNEL SYSTEM



RAIL CHANNEL SYSTEM

The open expanded metal ceiling S7-RHOMBOS offers a host of applications. The rail channel system is especially suited for sales areas, transport building or other applications requiring ceilings with integrated sign-posting. Its solid design also makes it suitable for sports halls, wall cladding or alike.

S7-RHOMBOS is distinguished by highly flexible design options. With its symmetrical panels, the S7 hook-in system with a front-sided joint of 13/32" [10mm] standard allows for easy planning and is easy to dismount from the bottom side at each point. Furthermore, the system can be supplied sound-proof and sound-absorbing according to your needs.

The metal ceiling contributes directly to Green Building / LEED certification. durlum S7-RHOMBOS expanded metal ceilings fall under the general Master Format section 09 50 00 ceilings. When the S7-RHOMBOS ceiling panels are supplied with sound absorption materials, 09 51 33 Acoustical Metal Pan Ceilings is possible.

SURFACE

Galvanized steel, aluminium, stainless steel. The thickness of the material depends on the static requirements. The galvanized steel and aluminium can be powder-coated white matt [similar to RAL 9016] or according to customer specifications. The coating thickness is approx. 60µm. The aluminium can also be supplied coil anodized or mirror polished. Stainless steel expanded metal panels are available brushed or mirror polished.

DIMENSIONS

Module size

Normally expanded: max. 3'-7"x8'-3" [1100x2500mm]

Flat rolled: max. 2'-8"x8'-3" [800x2500mm]

Larger dimensions on request.

MESH AND ACOUSTICS

durlum offers expanded metal panels with medium sized mesh M260_1.5 [open area ~66%] or M400 [open area ~50%] as standard and without acoustic effectiveness. Other mesh types may be available upon request. Expanded metal panels can be supplied with black acoustic fleece [closed area].

FIRE PERFORMANCE

In accordance with ASTM E84 Flame Spread Index for steel is 25 or less and Smoke Developed Index for steel is 50 or less.

GREEN BUILDING

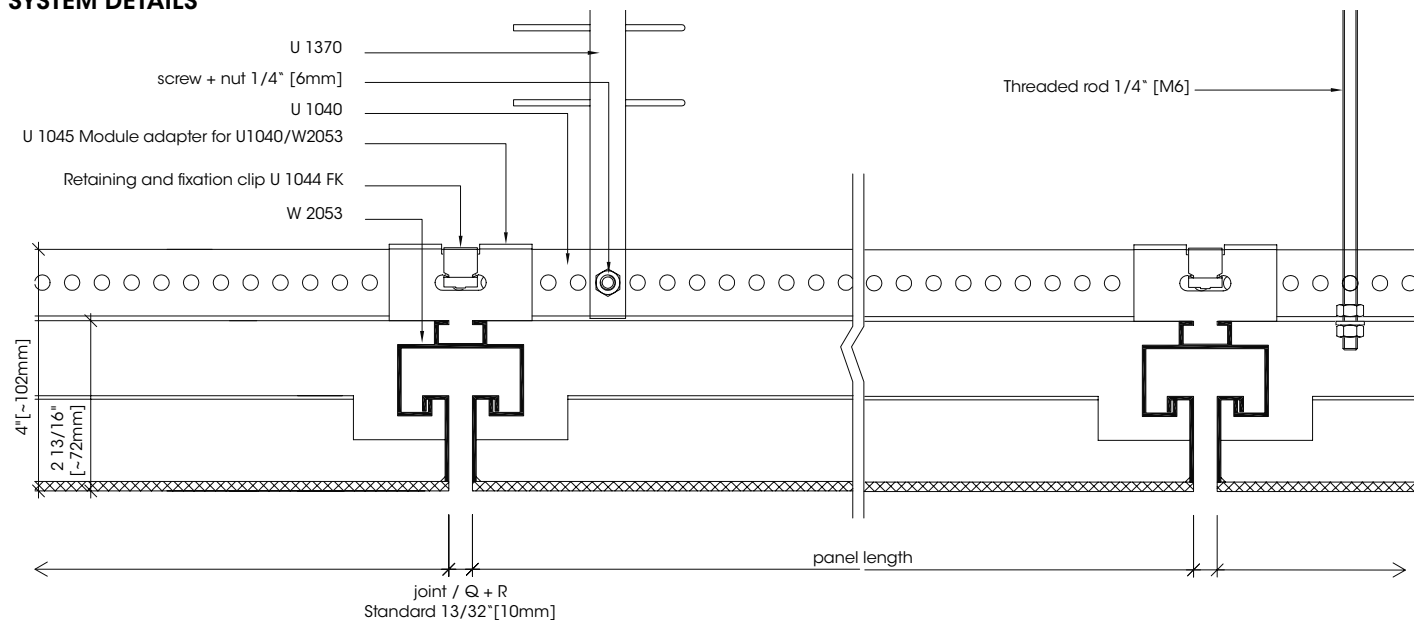
durlum metal panels contribute directly to LEED and other GREEN BUILDING certifications. Typically applicable credits under LEED v4:

- Recycled Content – post- & pre-consumer info
- VOC Emissions – conformity with VOC requirements
- Acoustic Performance – sound absorption with acoustic fleece
- Environmental Product Declaration – available

No substances as outlined in the US Living Building v.3 Red List are internationally used.

Learn more: greenbuilding@durlum.us

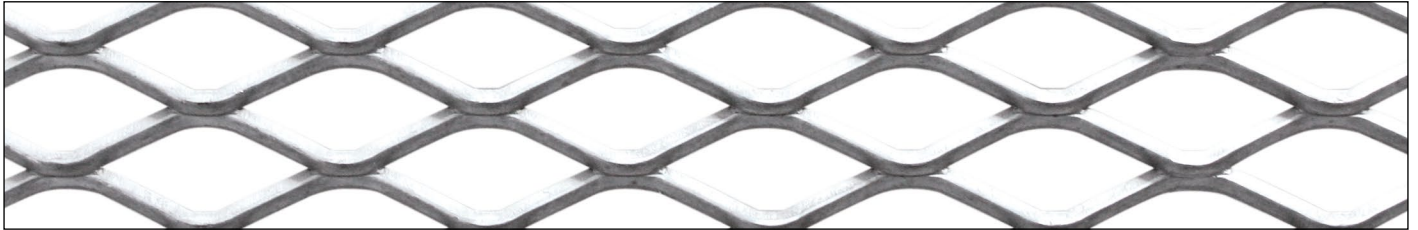
SYSTEM DETAILS



RAIL CHANNEL SYSTEM

MESHES

M260_1.5 | Medium Mesh



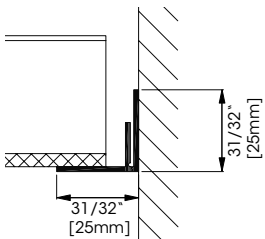
Mesh length	Mesh width	Web width	Web thickness	Open area
1 3/32" [28mm]	15/32" [12mm]	3/32" [2mm]	1/16" [1.5mm]	66.6%

M400 | Medium Mesh

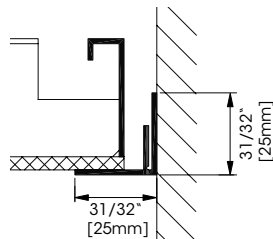


Mesh length	Mesh width	Web width	Web thickness	Open area
1 23/32" [44mm]	15/32" [12mm]	1/8" [3mm]	1/16" [1.5mm]	50%

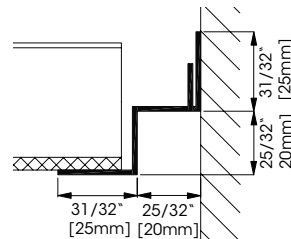
PERIMETER DETAILS



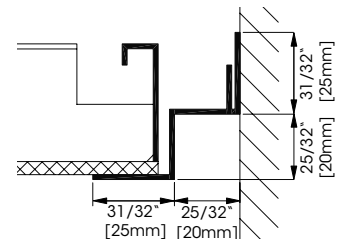
F 025 wall angle
For perimeter panels,
to be cut on site



F 025 wall angle
For lay-on perimeter
panels



F 025 shadow gap wall angle
For perimeter panels,
to be cut on site



F 025 shadow gap wall angle
For lay-on perimeter
panels

RAIL CHANNEL SYSTEM

INSTALLATION

The expanded metal panels are hooked form-fitting and tension free into a special substructure, the parts of which must be approved by the manufacturer of the expanded metal panels. Demounting without requiring tools is assured.

The substructure consists of U 1040 form-punched, L-shaped primary carriers acting as cross bracing [primary profile]. They are suspended rigidly from the bare ceiling with nonius suspension elements or threaded rods using officially approved anchors. The primary profiles are to be connected together at the longitudinal joints using U 1041 connectors. The primary profiles are joined to the walls using the wall bracket U 1042. The spacing of primary carrying profiles is determined by the applicable market standards and project requirements (static loads) and is to be determined and checked by the contractor. Ensure horizontal and flush alignment. The primary profiles U 1040 are connected to the secondary profiles W 2053 using U 1045 modul adapters. The secondary profiles are connected together at the longitudinal joint using connector W 2053 V. U 1042 is used for joining the secondary profiles to the wall. The spacing of the secondary metal panels is to be adjusted precisely to the length of the expanded metal panels to ensure that the panels are positioned tension free in the system. Ensure horizontal and flush alignment.

The expanded metal panels can be joined to the wall using the following wall bracket profiles:

Perimeter trim F 025
Perimeter trim F 2025

Please note

Installation must be carried out by qualified and trained staff according to the instructions for installation. These are available as download at www.durlum.us.

TECHNICAL STANDARDS

The parts comply with DIN EN 13964 as well as ASTM C635 and ASTM E1264.

Production complies with the TAIM and CISCA guidelines and the durlum works standards and is quality controlled by the TÜV according to ISO 9001:2008 and ISO 14001:2004.

CLEANING

As standard, durlum ceiling panels are made with an electrostatic polyester powder coating, thus providing them with a long-term finish. The powder-coated surface should always be cleaned wearing clean gloves. First clean it with a soft, dry cloth. If dirt cannot be removed by this procedure, the cloth can also be moistened, with the addition of a pH-neutral cleaner [household detergent], if necessary. Contact of the powder coating with both alkaline and acid substances must be avoided. Metallic powder coatings show a particularly sensitive reaction. Due to the risk of a change in hue or effect, for metallic coatings a suitability test must be performed.

More information: durlum.us

MANUFACTURER



durlum GmbH
An der Wiese 5
79650 Schopfheim
Germany

P: +49.7622.3905.0
E: info@durlum.com
I: durlum.com

CONTACT



durlum USA LLC
251 Little Falls Drive
Wilmington
Delaware 19808
USA

P: 1.800.204.3830
E: infoUSA@durlum.com
I: durlum.us